



Riselasers

# 深圳市华升激光科技有限公司

SHENZHEN RISELASER TECHNOLOGY CO., LTD

## 50W Laser Rust Removal Mould Laser Cleaning Machine

### Advantages

- 1, High-tech laser cleaning without any contact, no damage to workpiece.
- 2, Auto-focusing, hook cleaning, precision and no dead ends cleaning ability.
- 3, No consumables and cost effective.
- 4, No cleaning medium, water and chemical is needed.
- 5, Automatic and easy operation, with electricity handheld or automation cleaning.
- 6, Portable with light cabinet and universal wheels.
- 7, High cleaning efficiency, time saving.
- 8, System stable, free maintenance.

### Parameters

Items	Parameters
Cleaning Power	50W
Current Consumption	$P_{out} = P_{onm} / 5A$
Max. Power	200W
Power Voltage	AC 110/220
Cooling Method	Air Cooling
Laser Class	Level 4
Laser Wavelength	1064nm
Scan Width	1-120mm
Preheat Time	10-30s
Working Condition	Flat place without vibration and impact
Working Temperature	0-60 °C
Storage Temperature	-10~+60°C
Machine size	L462 x W 260 x H562 (855mm with pull rod)
Net Weight	30Kgs

E-mail: [carina@riselaser.com](mailto:carina@riselaser.com)

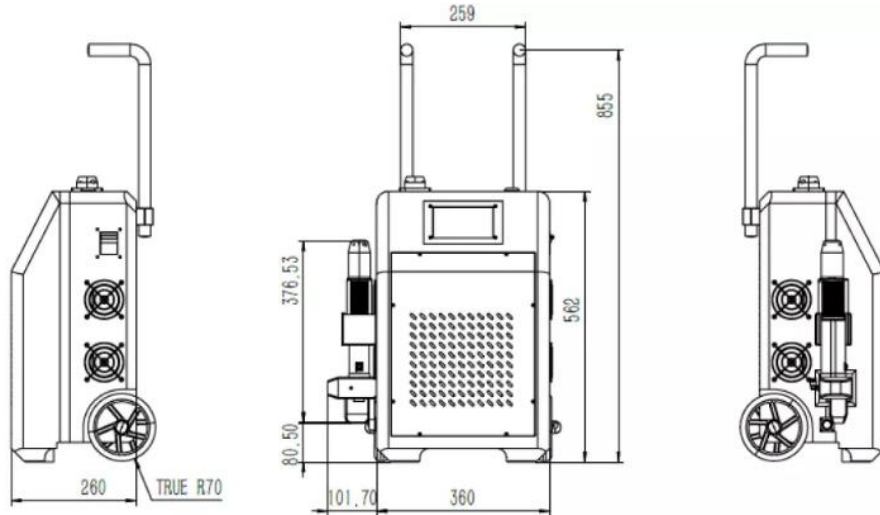
Website: [www.riselaser.com](http://www.riselaser.com)      [www.shdlaser.com](http://www.shdlaser.com)

Address: Building A4, Meiyang Fenghuang Zhihui Innovation Park, No. 3, Fenghuang Xingye 3rd Road, Fuyong Street, Baoan District, Shenzhen, China 518103



# 深圳市华升激光科技有限公司

SHENZHEN RISELASER TECHNOLOGY CO., LTD



## Product Application

1. Metal or glass surface coating removal, rapid paint removal
2. Quick rust and various oxides removal;
3. Grease, resin, gum, dust, stains, and produce residue removal;
4. Roughening of metal surface;
5. Mold cleaning, such as tire mold, electronic mold, food mold and etc.;
6. Treatment for precision parts, oil removal;
7. Quick cleaning of nuclear power unit maintenance;

## Packaging



E-mail: [carina@riselaser.com](mailto:carina@riselaser.com)

Website: [www.riselaser.com](http://www.riselaser.com)      [www.shdlaser.com](http://www.shdlaser.com)

Address: Building A4, Meiyang Fenghuang Zhihui Innovation Park, No. 3, Fenghuang Xingye 3rd Road, Fuyong Street, Baoan District, Shenzhen, China 518103



**Riselasers**

深圳市华升激光科技有限公司

SHENZHEN RISELASER TECHNOLOGY CO., LTD

## FAQ

### **1.How can i get the price?**

-We usually quote within 24 hours after we get your inquiry(Except weekend and holidays). If you are very urgent to get the price, please email us or contact us in other ways so that we can offer you a quote.

### **2. Can I buy samples placing orders?**

-Yes.Please feel free to contact us.

### **3.What is your lead time?**

-It depends on the order quantity and the season you place the order.

Usually we can ship within 3-5 days for small quantity, negotiable for large quantity.

### **4.How do you make our business long-term and good relationship?**

-1. We keep good quality and competitive price to ensure our customers benefit ;

-2. We respect every customer as our friend and we sincerely do business and make friends with them, no matter where they come from.

E-mail: [carina@riselaser.com](mailto:carina@riselaser.com)

Website: [www.riselaser.com](http://www.riselaser.com)      [www.shdlaser.com](http://www.shdlaser.com)

Address: Building A4, Meiyang Fenghuang Zhihui Innovation Park, No. 3, Fenghuang Xingye 3rd Road, Fuyong Street, Baoan District, Shenzhen, China 518103